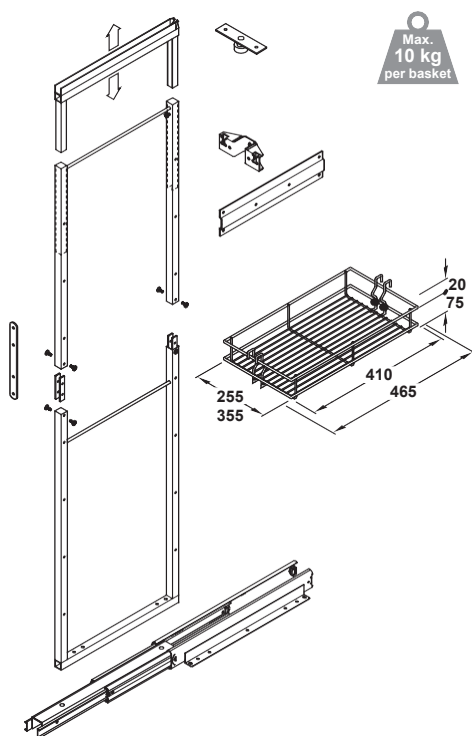


PULL OUT LARDER UNITS

Centre mounted larder units allowing full access to either side of the baskets. Bottom ball bearing runner ensures smooth opening and closing of the pull out.



Larder unit, centre mounting, height adjustable



- > For installed heights:
1700-1950 mm, 1950-2200 mm: 5x baskets included
- > Built-in depth: 480 mm
- > For cabinet widths 300 or 400 mm
- > Set includes:
 - Hanging frame, silver epoxy coated tubular steel, 25 x 25 mm, height adjustable, with mounting accessories
 - Ball bearing runner and top roller guide, silver epoxy coated steel, load carrying capacity 100 kg. The top guide must be fixed under the top panel or shelf, the runner is base mounted.
 - Storage basket, heavier gauge chrome-plated steel. Specially shaped to hang centrally
 - Bracket and crossbar, to fix cabinet doors to larder units, silver epoxy coated steel
 - Door connecting strip, silver epoxy coated steel
 - Fixing materials and fitting instructions
- > Cabinet is not included
- > Order qty: 1 set

	Centre Mounting	300	400	UK Flag	Fixings included
For cabinet width		300 mm	400 mm		✓
Basket width		255 mm	355 mm		
Installed height					
1700-1950 mm		546.21.014	546.21.034		
1950-2200 mm		546.21.015	-		